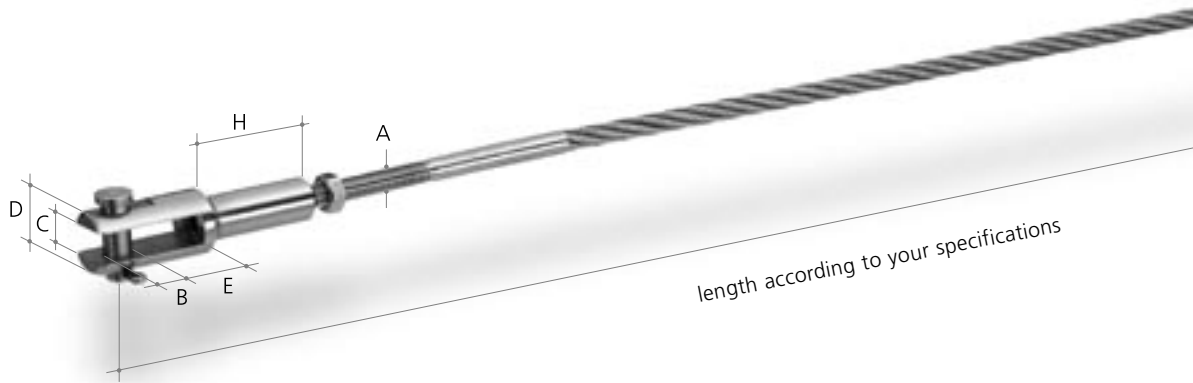
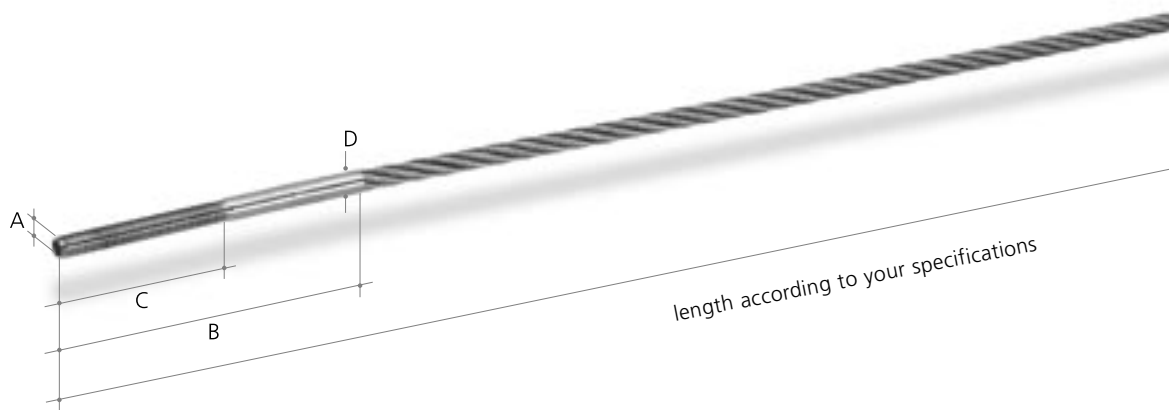




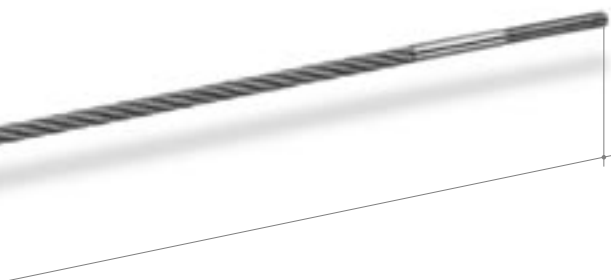


With our **COLLECTION** ordering is made even easier: Here you find a number of popular standard combinations of wire ropes and fastenings. Just decide for a certain type of fastening and all you have to specify with your order is the thickness of the wire rope and the required length.





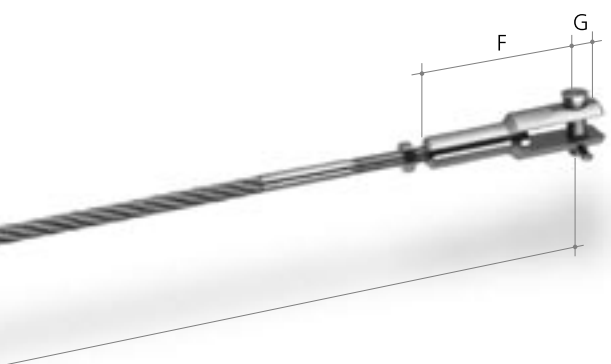
For many applications our standardized sets commend themselves. These consist of our **flexible stranded wire rope 6x7 + steel core** and the respective end-to-end connections, all made of **high-quality stainless steel**.



TYPE A

End connections: EXTERNAL THREAD FINE LINE on both sides, right-hand thread

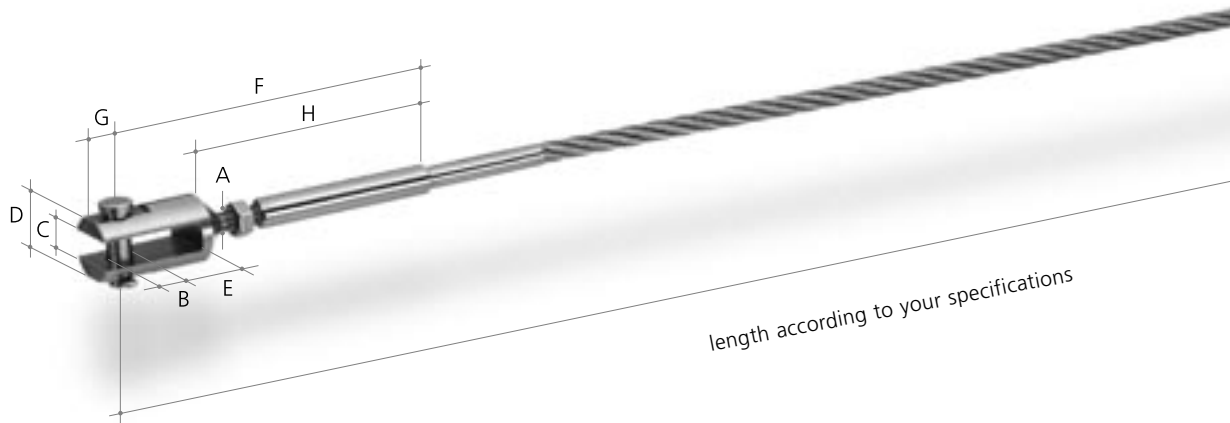
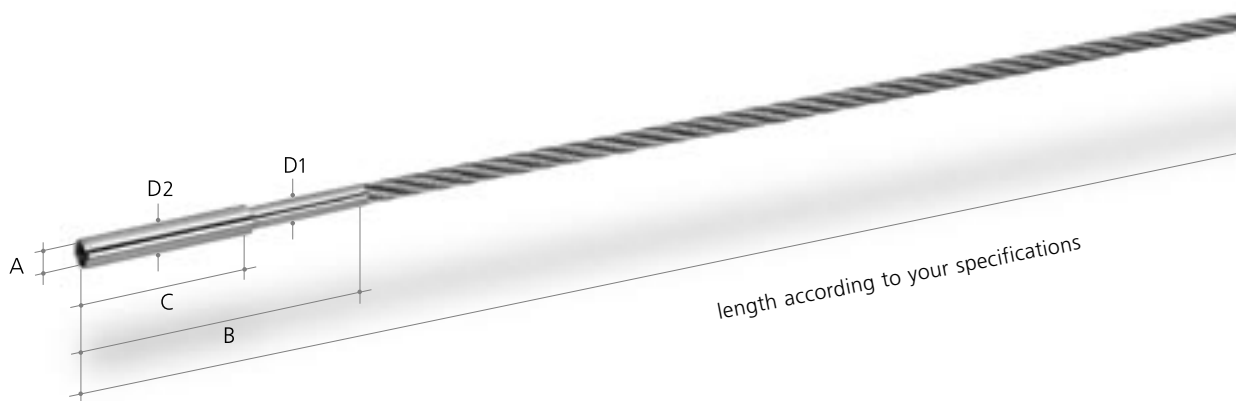
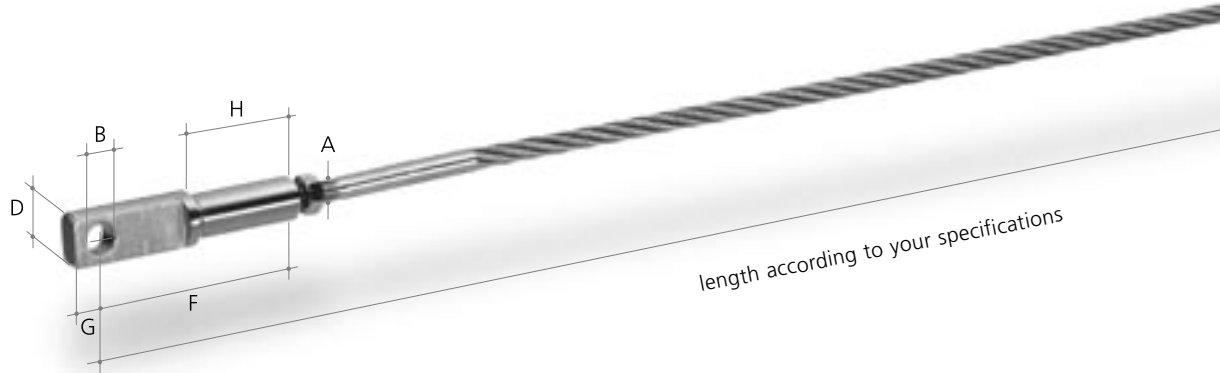
| type | item no. right-hand | rope- \emptyset (6 strands) in mm | dimensions in mm | | | |
|------|------------------------|---|------------------|-----|----|---|
| | | | A | B | C | D |
| A-33 | 78233 | 3 | M3 | 50 | 30 | 3 |
| A-35 | 78235 | 3 | M3 | 70 | 50 | 3 |
| A-43 | 78243 | 4 | M4 | 60 | 30 | 4 |
| A-46 | 78246 | 4 | M4 | 90 | 60 | 4 |
| A-53 | 78253 | 5 | M5 | 60 | 30 | 5 |
| A-56 | 78256 | 5 | M5 | 90 | 60 | 5 |
| A-63 | 78263 | 6 | M6 | 70 | 30 | 6 |
| A-67 | 78267 | 6 | M6 | 110 | 70 | 6 |
| A-84 | 78284 | 8 | M8 | 90 | 40 | 8 |
| A-88 | 78288 | 8 | M8 | 130 | 80 | 8 |



TYPE B

End connections: EXTERNAL THREAD FINE LINE on both sides, right or lefthand, with JAW FINE with internal thread

| type | item no. right-hand | rope- \emptyset (6 strands) in mm | dimensions in mm | | | | | | | |
|------|------------------------|---|------------------|-----|-----|----|------|------|------|----|
| | | | A | B | C | D | E | F | G | H |
| B-33 | 78333 | 3 | M3 | 4,5 | 5,5 | 11 | 13,5 | 40,5 | 5,5 | 27 |
| B-45 | 78345 | 4 | M4 | 4,5 | 5,5 | 11 | 13,5 | 40,5 | 5,5 | 27 |
| B-53 | 78353 | 5 | M5 | 6,0 | 6,5 | 14 | 18,0 | 46,0 | 7,0 | 28 |
| B-63 | 78363 | 6 | M6 | 6,0 | 6,5 | 14 | 18,0 | 46,0 | 7,0 | 28 |
| B-84 | 78384 | 8 | M8 | 8,0 | 8,5 | 20 | 24,0 | 78,0 | 10,0 | 54 |

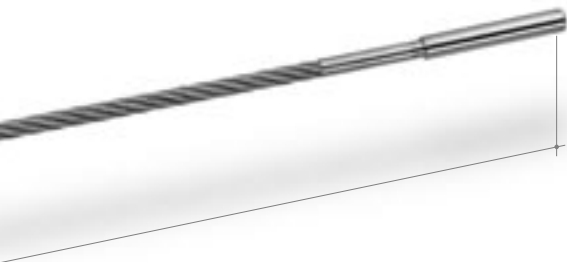




TYPE C

End connections: EXTERNAL THREAD FINE LINE on both sides, right- or lefthand with EYE FINE with internal thread

| type | item no. right-hand | rope- \emptyset (6 strands) in mm | dimensions in mm | | | | | | | |
|------|------------------------|---|------------------|-----|-----|----|------|------|-----|----|
| | | | A | B | C | D | E | F | G | H |
| C-33 | 78433 | 3 | M3 | 4,7 | 4,5 | 9 | 14,5 | 41,5 | 4,5 | 25 |
| C-43 | 78443 | 4 | M4 | 4,7 | 4,5 | 9 | 14,5 | 41,5 | 4,5 | 25 |
| C-53 | 78453 | 5 | M5 | 6,2 | 6,0 | 12 | 19,0 | 47,0 | 6,0 | 25 |
| C-63 | 78463 | 6 | M6 | 6,2 | 6,0 | 12 | 19,0 | 47,0 | 6,0 | 25 |
| C-84 | 78484 | 8 | M8 | 8,5 | 8,0 | 16 | 26,0 | 80,0 | 8,0 | 50 |



TYPE D

End connections: INTERNAL THREAD FINE LINE on both sides, right- or lefthand

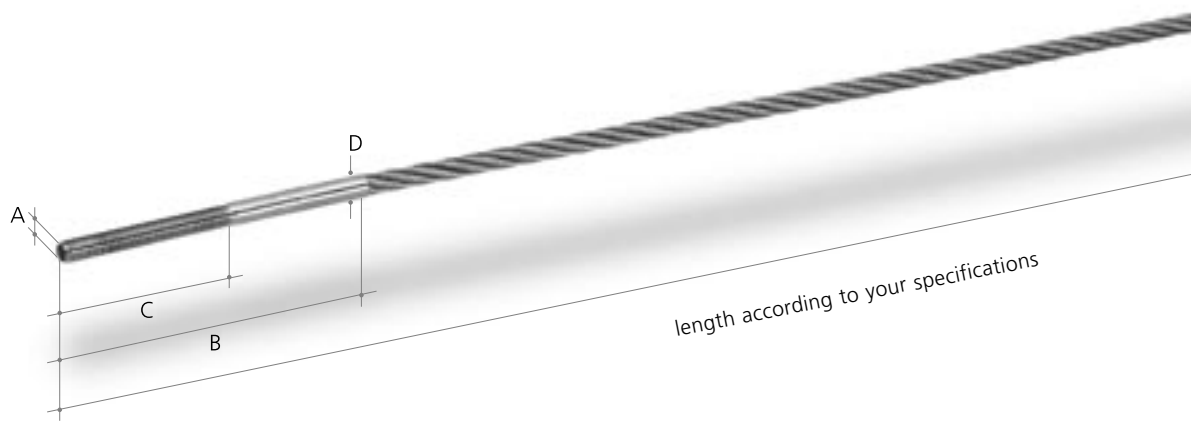
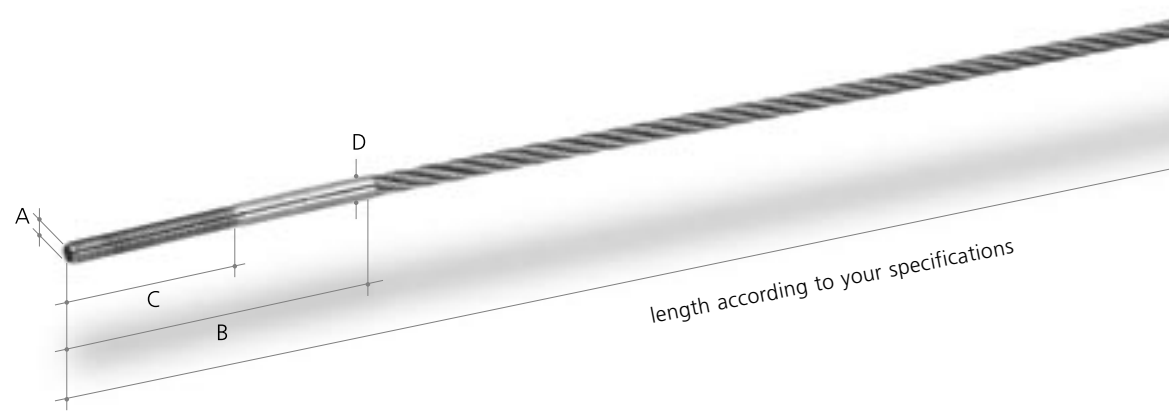
| type | item no. right-hand | rope- \emptyset (6 strands) in mm | dimensions in mm | | | | |
|------|------------------------|---|------------------|-----|----|----|----|
| | | | A | B | C | D1 | D2 |
| D-43 | 77943 | 4 | M4 | 60 | 30 | 4 | 6 |
| D-54 | 77953 | 5 | M5 | 70 | 35 | 5 | 7 |
| D-65 | 77964 | 6 | M6 | 85 | 45 | 6 | 8 |
| D-86 | 77985 | 8 | M8 | 105 | 55 | 8 | 10 |

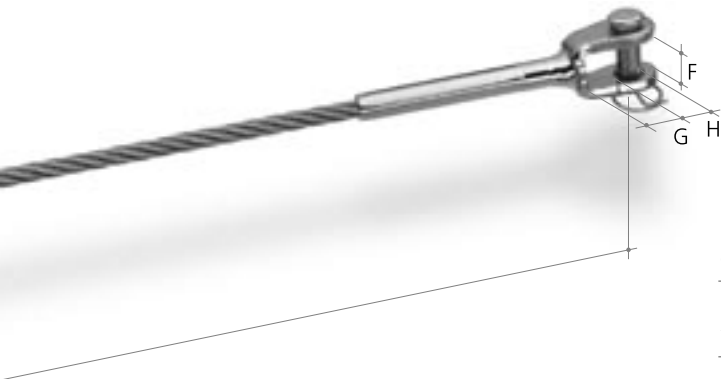


TYPE E

End connections: INTERNAL THREAD FINE LINE on both sides, right- or lefthand, with JAW FINE with external thread

| type | item no. right-hand | rope- \emptyset (6 strands) in mm | dimensions in mm | | | | | | | |
|------|------------------------|---|------------------|-----|-----|----|------|----|------|----|
| | | | A | B | C | D | E | F | G | H |
| E-43 | 78043 | 4 | M4 | 4,5 | 5,5 | 11 | 13,5 | 45 | 5,5 | 30 |
| E-54 | 78053 | 5 | M5 | 6,0 | 6,5 | 14 | 18,0 | 67 | 7,0 | 45 |
| E-65 | 78064 | 6 | M6 | 6,0 | 6,5 | 14 | 18,0 | 77 | 7,0 | 50 |
| E-86 | 78085 | 8 | M8 | 8,0 | 8,5 | 20 | 24,0 | 92 | 10,0 | 60 |





TYPE F

End connections: JAW END with external thread and TURNBUCKLE BODY and JAW hexagon swaged

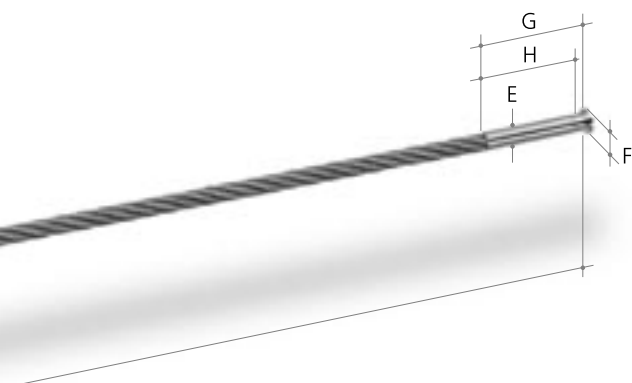
| type | item no. | rope- \emptyset (6 strands) in mm | dimensions in mm | | | | | | | |
|------|----------|---|------------------|----|----|----|----|----|----|----|
| | | | A | B | C | D | E | F | G | H |
| F-45 | 78446 | 4 | M6 | 8 | 6 | 9 | 7 | 10 | 10 | 6 |
| F-56 | 78456 | 5 | M8 | 10 | 8 | 10 | 8 | 12 | 11 | 9 |
| F-67 | 78467 | 6 | M10 | 12 | 10 | 11 | 10 | 14 | 14 | 10 |



TYPE G

End connections: EXTERNAL THREAD FINE LINE right-hand and ROUNDED HEAD FINE LINE

| type | item no. | rope- \emptyset (6 strands) in mm | dimensions in mm | | | | | | | |
|------|----------|---|------------------|----|----|---|---|----|----|----|
| | | | A | B | C | D | E | F | G | H |
| G-33 | 78293 | 3 | M3 | 50 | 30 | 3 | 3 | 7 | 36 | 32 |
| G-43 | 78294 | 4 | M4 | 60 | 30 | 4 | 4 | 8 | 36 | 32 |
| G-53 | 78295 | 5 | M5 | 60 | 30 | 5 | 5 | 9 | 43 | 37 |
| G-63 | 78296 | 6 | M6 | 70 | 30 | 6 | 6 | 10 | 43 | 37 |
| G-84 | 78298 | 8 | M8 | 90 | 40 | 8 | 8 | 12 | 65 | 60 |



TYPE H

End connections: EXTERNAL THREAD FINE LINE right-hand and COUNTERSUNK HEAD FINE LINE

| type | item no. | rope- \emptyset (6 strands) in mm | dimensions in mm | | | | | | | |
|------|----------|---|------------------|----|----|---|---|------|----|------|
| | | | A | B | C | D | E | F | G | H |
| H-33 | 78423 | 3 | M3 | 50 | 30 | 3 | 3 | 5,2 | 35 | 31,8 |
| H-43 | 78424 | 4 | M4 | 60 | 30 | 4 | 4 | 5,2 | 40 | 36,8 |
| H-53 | 78425 | 5 | M5 | 60 | 30 | 5 | 5 | 7,5 | 45 | 41,8 |
| H-63 | 78426 | 6 | M6 | 70 | 30 | 6 | 6 | 7,5 | 50 | 46,8 |
| H-84 | 78428 | 8 | M8 | 90 | 40 | 8 | 8 | 10,4 | 65 | 61,8 |